

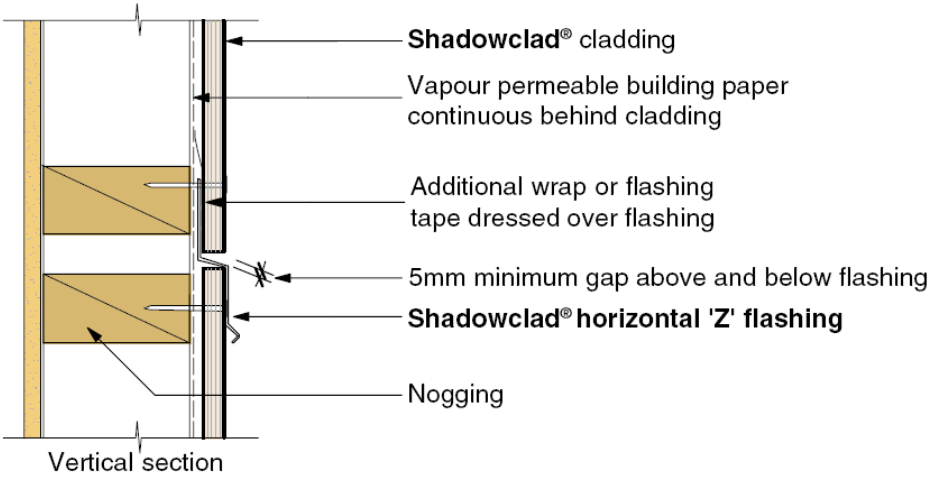
“Shadowclad texture with aluminium flashings gives clean lines ...”



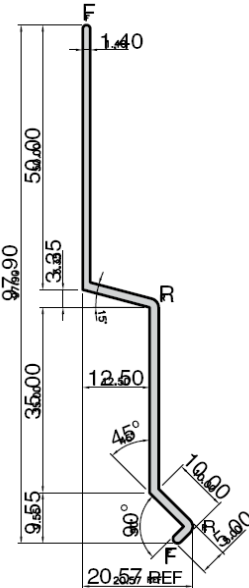
“Shadowclad purpose-designed flashings...”



Horizontal 'Z' flashing



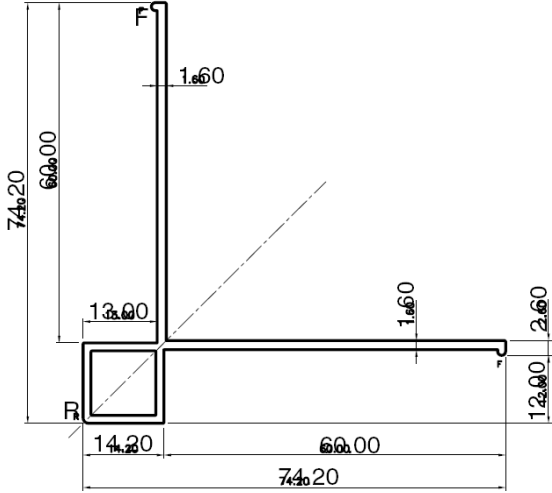
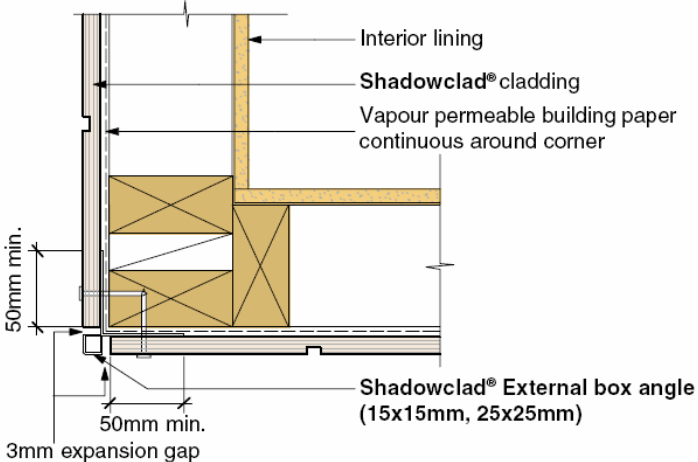
(Note: optional H3 accent board over joint. All fixing clear of flashing)



“Shadowclad purpose-designed flashings...”

External 90° box angle

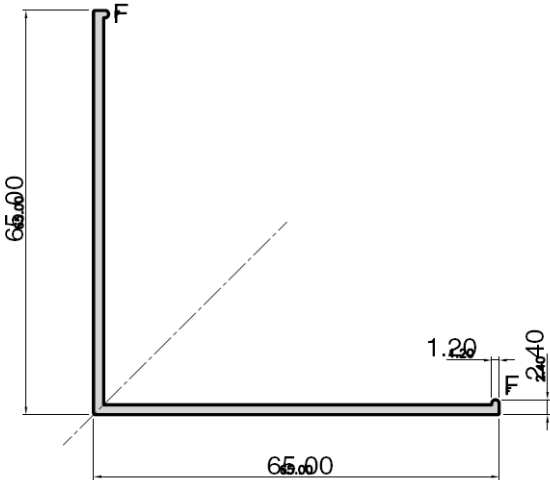
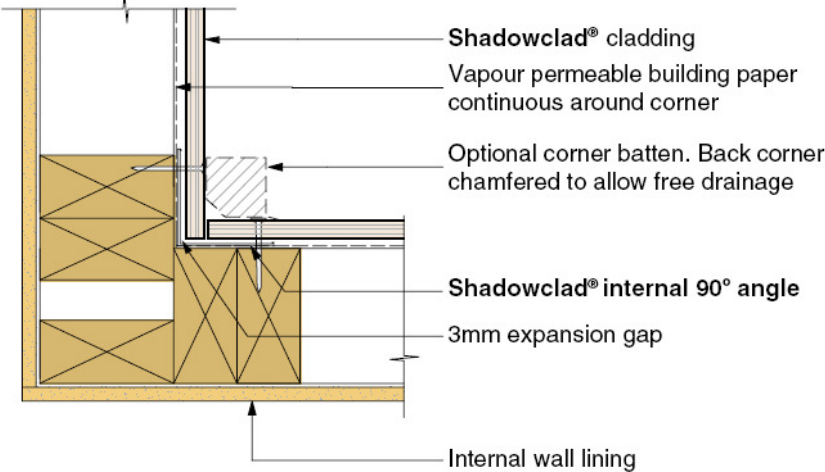
(15X15, 25X25mm)



“Shadowclad purpose-designed flashings...”

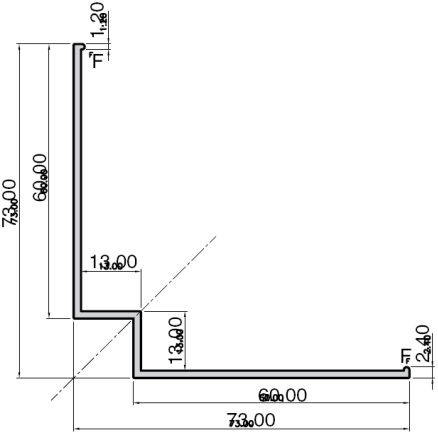
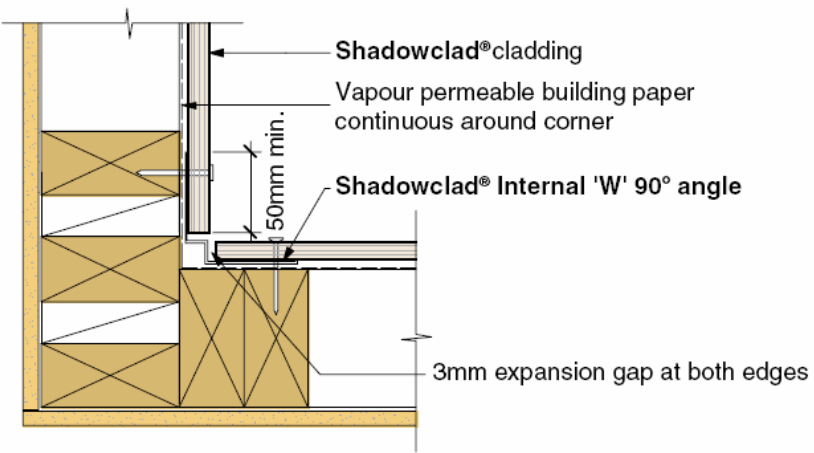


Internal 90° angle



“Shadowclad purpose-designed flashings...”

Internal 'W' angle



“Shadowclad texture with aluminium flashings gives a water tight solution ...”

