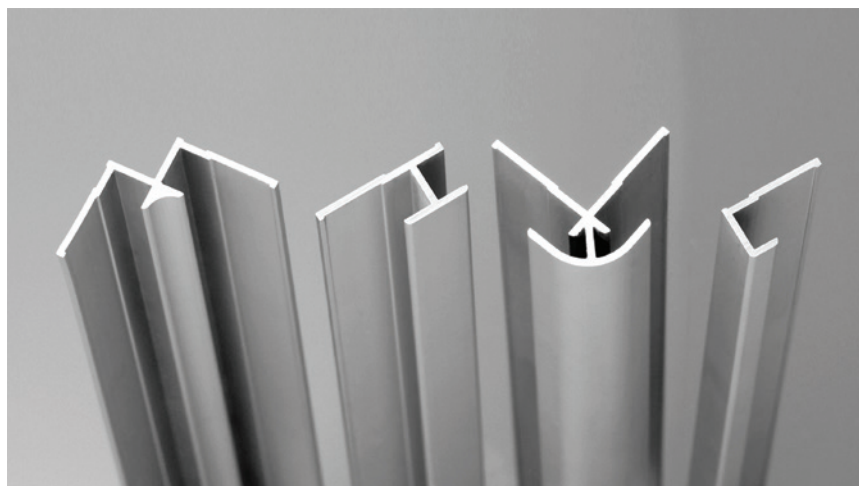


# VISTELLE®

## Vistelle® Edge Profiles



[www.vistelle.com](http://www.vistelle.com)

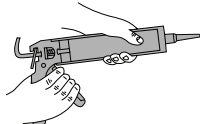
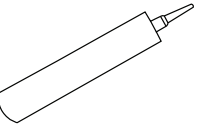
**EGR**  
**DECOR**

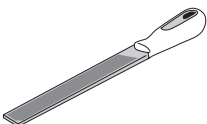
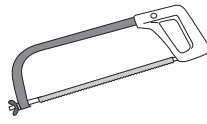
# Introduction

The Vistelle edge profiles are designed to integrate with Vistelle panels. The edge profiles will reduce installation time and deliver a highly professional and durable finish.

All four profile types are designed to be bonded to the panel using neutral cure silicone so they can move with the panel during thermal expansion and contraction. **DO NOT** fix the edge profiles to the wall.

## Tools Required for Installation

	Silicone Caulking Gun
	Neutral Cure Silicone

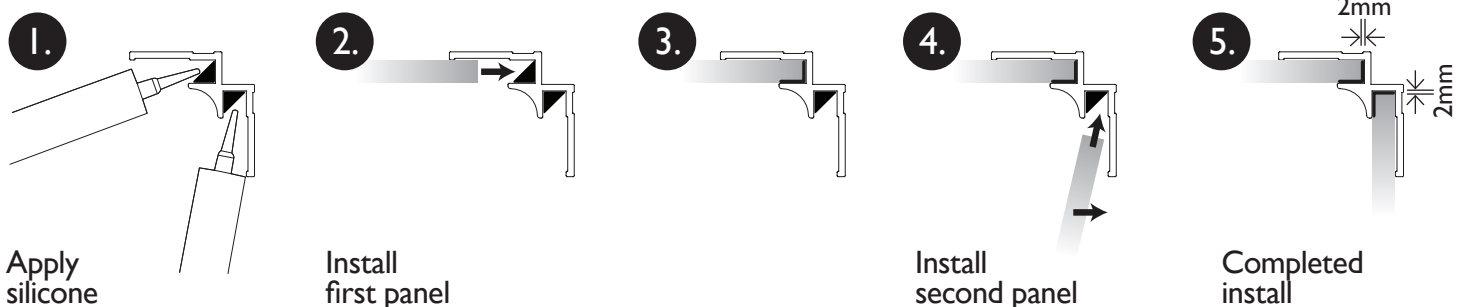
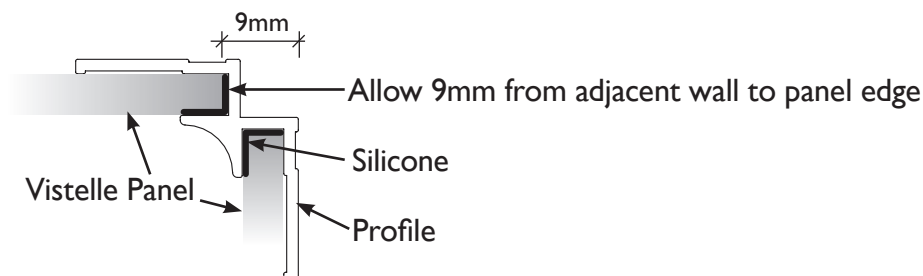
	Medium File
	Fine Toothed Hacksaw

## Preparation

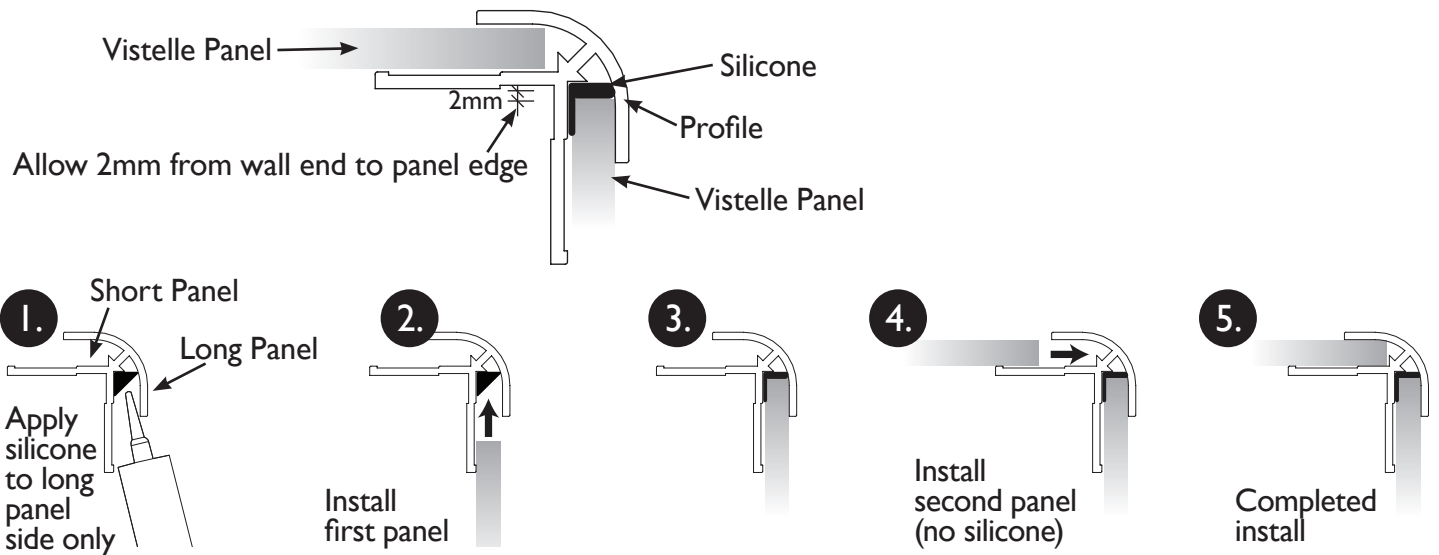
1. Cut the edge profiles to the same length as the panel using the hacksaw
2. De burr and smooth the cut ends using the medium file
3. Apply 3 mm high silicone bead to the base of the profile channel along the entire length of the profile
4. Position the profile on to the panel as shown in the individual profile install sequences and always ensure there is 2mm from edge of the panel to the base of the extrusion
5. Wipe off any excess silicone immediately after panel install
6. Leave to cure for 24 hours before use.

---

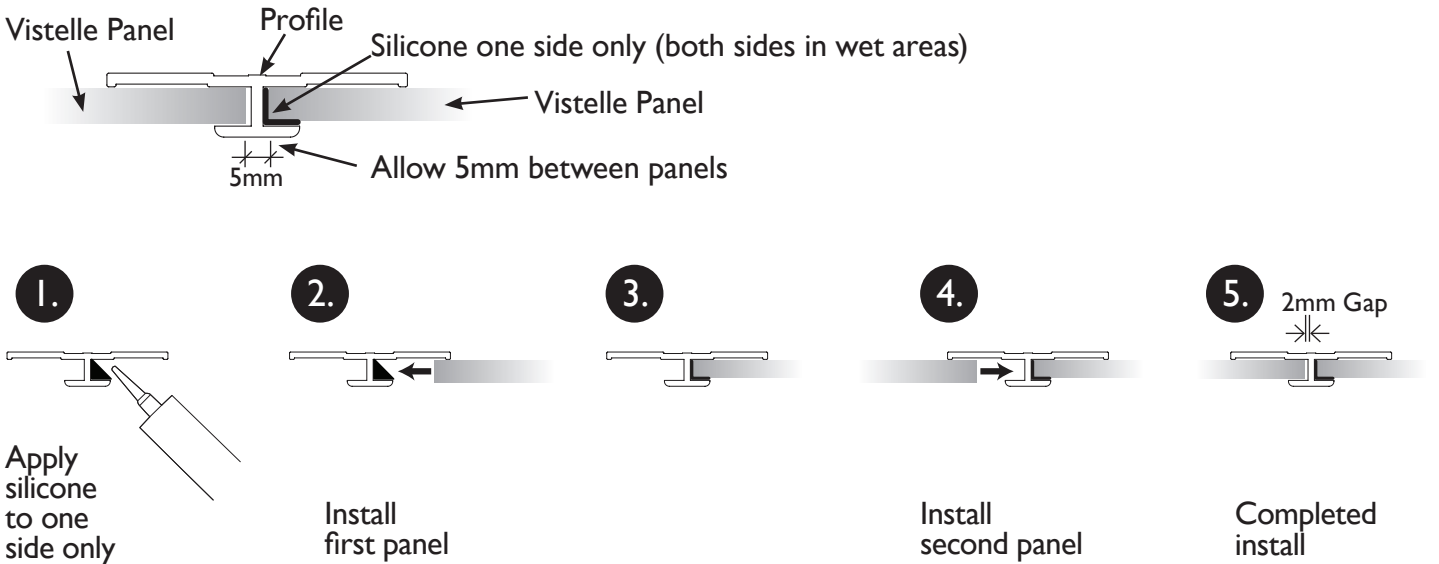
## INTERNAL CORNER PROFILE



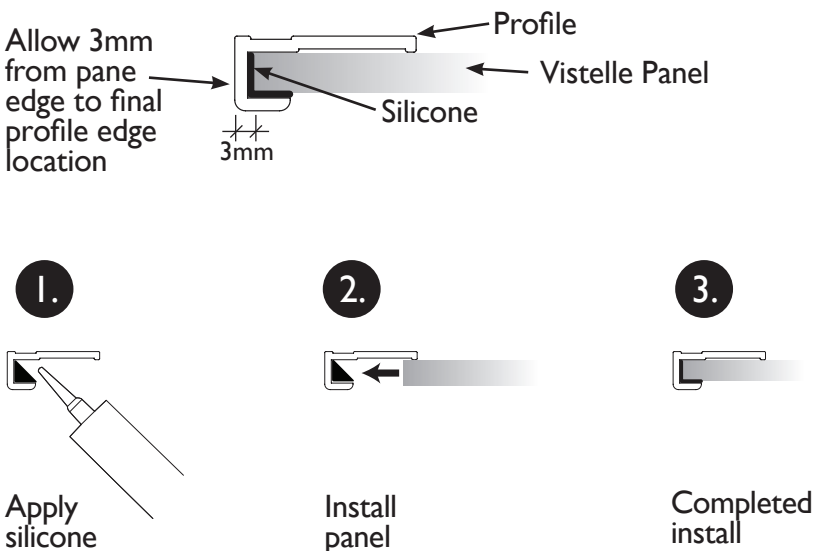
# EXTERNAL CORNER PROFILE



# STRAIGHT JOINT PROFILE

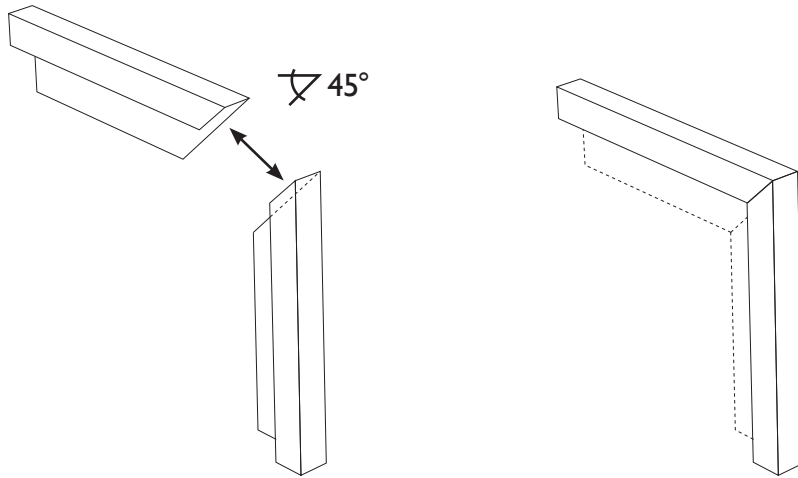


# EDGE CAP PROFILE

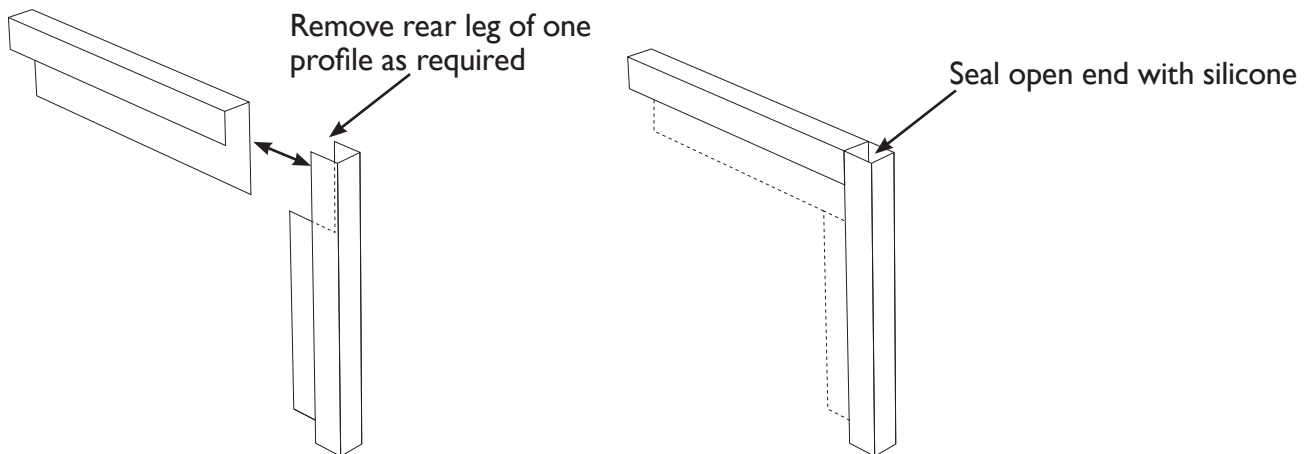


# PERIMETER CORNER JOINTS

## MITRE JOINTS



## NOTCHED JOINTS



**VISTELLE**<sup>®</sup>

© Copyright / Patent Pending 2019 Oakmoore Pty Ltd  
ABN: 13 056 159 570, trading as EGR.



**MADE IN  
AUSTRALIA**

### EGR Decor

📍 40 Machinery St, Darra, Brisbane  
Queensland 4076, Australia

🌐 [www.vistelle.com](http://www.vistelle.com)

✉ [info@vistelle.com](mailto:info@vistelle.com)

☎ 1800 347 347